

D

หมวดสกรู

Screws



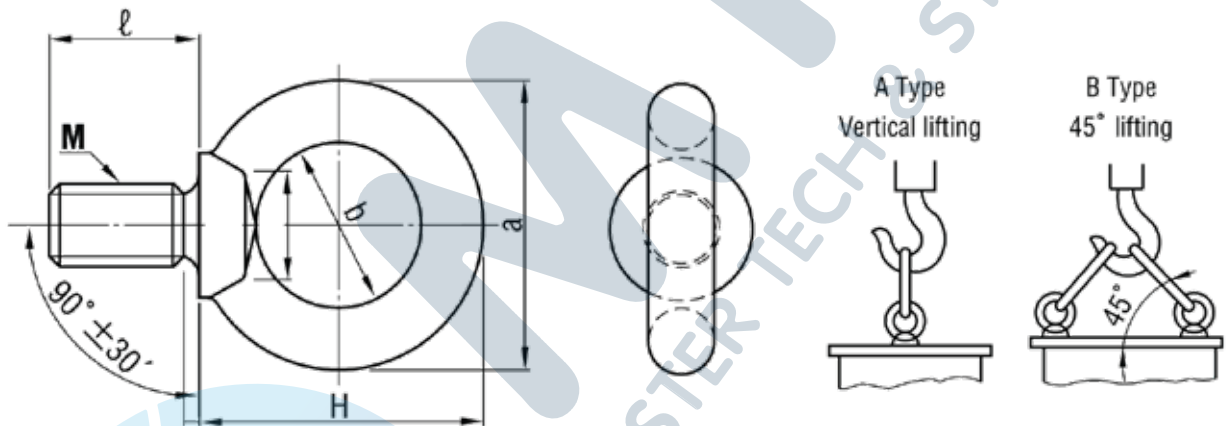
Eye Bolts

อายโบลท์ (CHI)



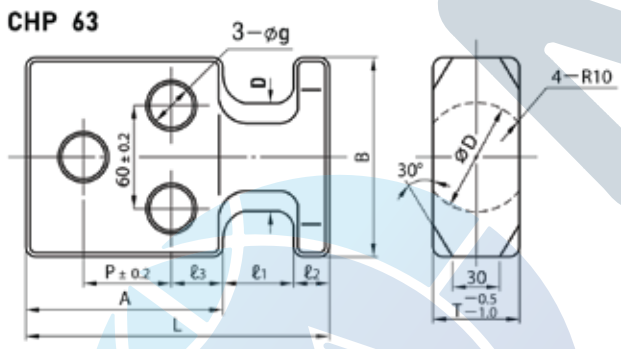
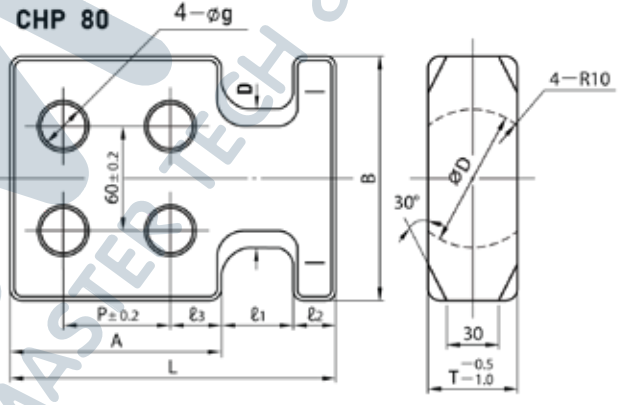
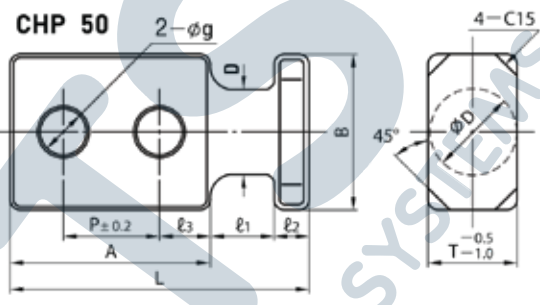
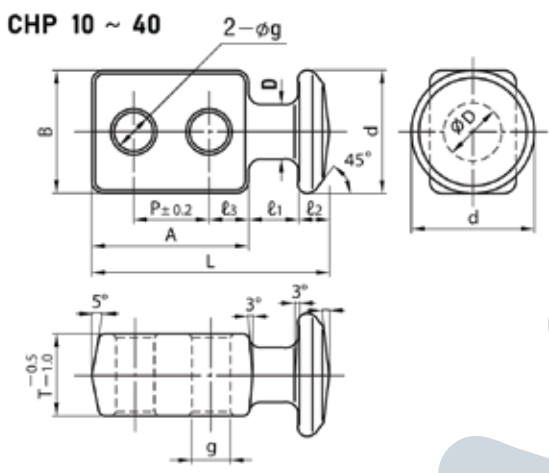
Code	CHI
Material	SS400

Order Code M
CHI 10



Code	M	M x p	a	b	H	ℓ	A Type & B Type
CHI	8	8 x 1.25	32.6	20	33.3	15	80 (Kg)
	10	10 x 1.5	41	25	41.5	18	150 (Kg)
	12	12 x 1.75	50	30	51	22	220 (Kg)
	16	16 x 2.0	60	35	60	27	450 (Kg)
	20	20 x 2.5	72	40	71	30	630 (Kg)
	24	24 x 3.0	90	50	90	38	950 (Kg)
	30	30 x 3.5	110	60	110	45	1500 (Kg)
	36	36 x 4.0	133	70	132	55	2300 (Kg)
	42	42 x 4.5	151	80	151	65	3400 (Kg)
48	48 x 5.0	170	90	170	70	4500 (Kg)	

Hook (Plate Type) हुक्काप्लेट (CHP)



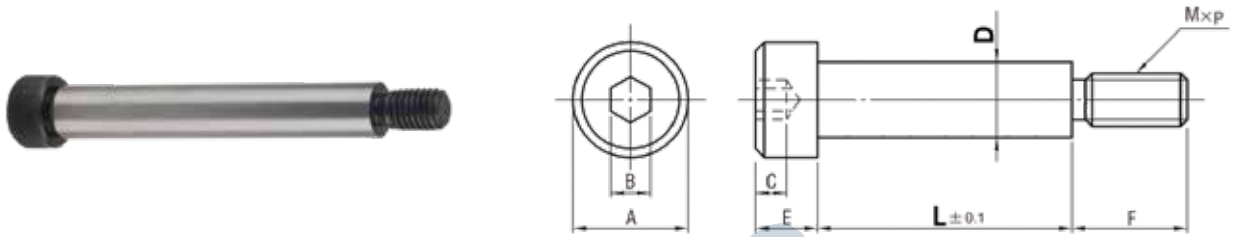
Code	CHP
Material	SS400

Order Code D
 CHP 25

Code	D	d	B	T	L	A	φ1	φ2	φ3	P	g	N/piece {kgf/piece} For steel, safety factor 10
CHP	10	28	28	18	50	32	10	8	8	16	7	1569 {160}
	12	32	32	20	56	38	10	8	10	18	9	3530 {360}
	16	36	36	24	67	46	13	8	12	22	11	4511 {460}
	20	40	40	26	88	60	18	10	15	30	14	5492 {560}
	25	48	48	35	92	60	20	12	15	30	14	6570 {670}
	32	55	55	40	118	80	25	13	20	40	18	12160 {1240}
	40	70	70	50	138	93	30	15	24	45	22	19123 {1950}
	50	-	90	50	170	115	35	20	30	55	26	27459 {2800}
	63	-	115	50	175	115	40	20	30	55	26	39227 {4000}
	80	-	140	50	185	120	40	25	30	60	26	50995 {5200}

Stripper Bolts

สกริปเปอร์โบลท์ (MSB)



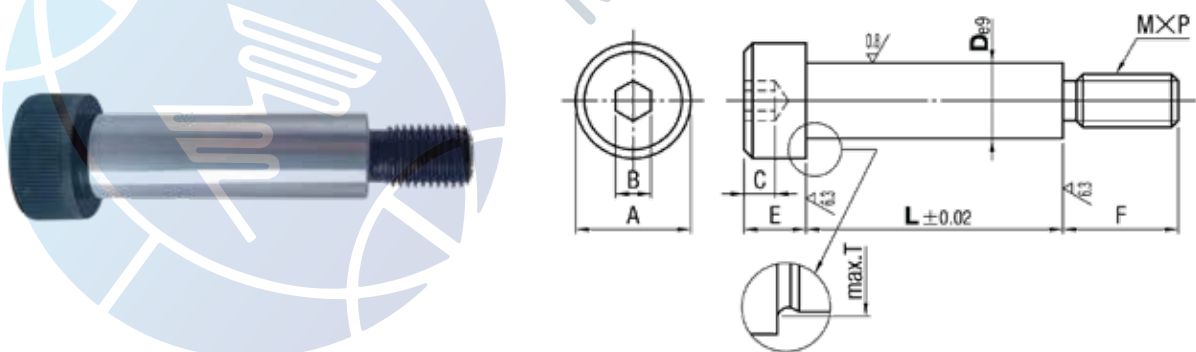
Code	MSB
Material	SCM435

Order Code D x L
MSB 16 x 100

Code	D	L
MSB	4.5	10 15 20 25 30 35 40 45 50
	5.5	10 15 20 25 30 35 40 45 50
	6.5	10 15 20 25 30 35 40 45 50 55 60 65 70 75 80
	8	10 15 20 25 30 35 40 45 50 55 60 65 70 75 80 85 90 100 110
	10	10 15 20 25 30 35 40 45 50 55 60 65 70 75 80 85 90 95 100 110 120
	12	10 15 20 25 30 35 40 45 50 55 60 65 70 75 80 85 90 95 100
	13	10 15 20 25 30 35 40 45 50 55 60 65 70 75 80 85 90 95 100 110 120 130 140
	16	15 20 25 30 35 40 45 50 55 60 65 70 75 80 85 90 95 100 110 120 130 140 150
20	40 45 50 55 60 65 70 75 80 85 90 95 100 110 120 130 140 150	

De9	A	B	C	E	F	M x p
4.5	-0.020	7	2.5	1.6	3	3 x 0.5
5.5	-0.050	9	3	2.2	4	4 x 0.7
6.5	-0.025	10	4	2.5	5	5 x 0.8
8	-0.061	13	5	3	6	6 x 1.0
10		16	6	4	8	8 x 1.25
12	-0.032	17				
13	-0.075	18	8	5	10	10 x 1.5
16	-0.040	24	10	7	14	12 x 1.75
20	-0.092	27	14	9	18	16 x 2.0

Stripper Bolts สกริปเปอร์โบลท์ (MSBL)

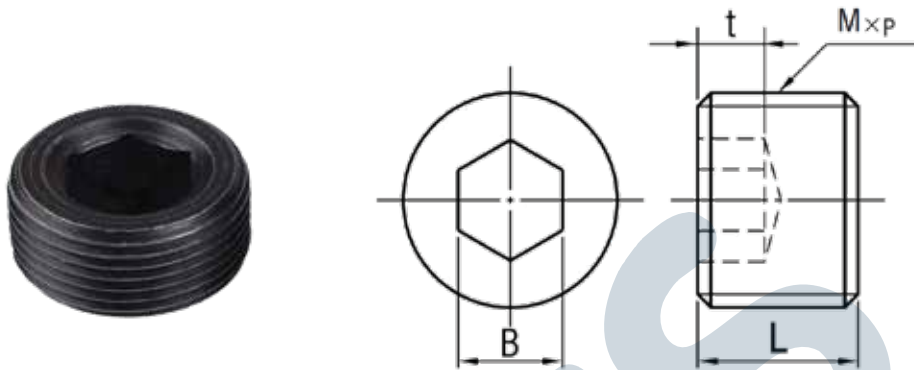


Code	MSBL
Material	SCM435

Order Code D x L
MSBL 25 x 114

Code	D	L	De9	A	B	C	E	F	M x P	T
MSBL	6.5	10 - 70	6.5	10	4	2.5	5	9	5 x 0.8	7
	8	10 - 90	8	-0.025	13	5	3	6	6 x 1.0	8.7
	10	10 - 120	10	-0.061	16	6	4	8	8 x 1.25	10.8
	13	10 - 130	13	-0.032	18	8	5	10	10 x 1.5	14
	16	15 - 150	16	-0.075	24	10	7	14	12 x 1.75	17
	20	15 - 150	20	-0.040	27	14	9	18	16 x 2.0	21
	25	30 - 160	25	-0.092	33	17	11	19	20 x 2.5	26

Screw Plugs Jáḡḡḡ (MSW)



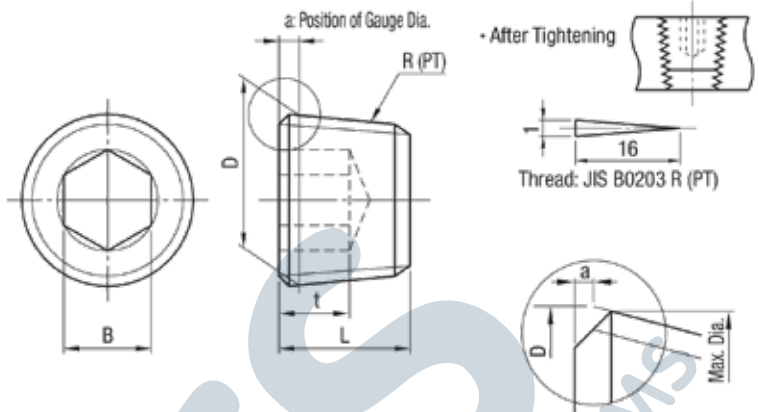
Code	MSW
Material	SCM435

Order Code M
MSW 16

Code	M	M x p	L	t	B	
MSW	2.5	2.5	0.45	3	1.2	1.3
	3	3	0.5	3	1.2	1.5
	4	4	0.7	4	1.5	2
	5	5	0.8	5	2	2.5
	6	6	1.0	6	3.5	3
	8	8	1.25	8	5	4
	10	10	1.5	10	6	5
	12	12			5.5	6
	14	14				8
	16	16			10	
	18	18			12	
	20	20			14	
	22	22			14	
	24	24			14	
	25	25			14	
	26	26			14	
	27	27	1.5	12	6	14
	28	28				17
	30	30				
	33	33				
36	36					
38	38					
40	40					
42	42					
45	45	18	10	17		

Tapered Screw Plugs

ปลั๊กสกรูทAPER (MSWT)



Code	MSWT
Material	SCM435
Surface	Black Oxide

Order Code D
MSWT 16

Code	No.	D	a	L	B	t	R (PT)
MSWT	J	7.723	0.45	6	4	3.0	1/16
	1	9.728	0.45 (1.5)	7 (8)	5	3.5 (5)	1/8
	2	13.157	0.7 (1.8)	8.9 (11)	6	4.5 (7.6)	1/4
	3	16.662	0.7 (2.0)	10 (12)	8	5 (8)	3/8
	4	20.955	0.9	12	10	6	1/2
	6	26.441		14	14	7	3/4
	8	33.249	1.1	16.5	17	9	1

Flat Washer (FW) / Spring Washer (SW#1 / SW#2)

แหวนอีแปะ / แหวนสปริงใน / แหวนสปริงนอก



แหวนอีแปะ

Code	Size	OD x T
FW	M3	8 x 0.8
	M4	10 x 0.8
	M5	12 x 0.8
	M6	13 x 1.0
	M8	18 x 1.2
	M10	22 x 1.6
	M12	24 x 1.6
	M16	32 x 2.5

Order Code Size
FW M3



แหวนสปริงใน

Code	Size
SW#1	M3
	M4
	M5
	M6
	M8
	M10
	M12
	M16
M20	

Order Code Size
SW#1 M3



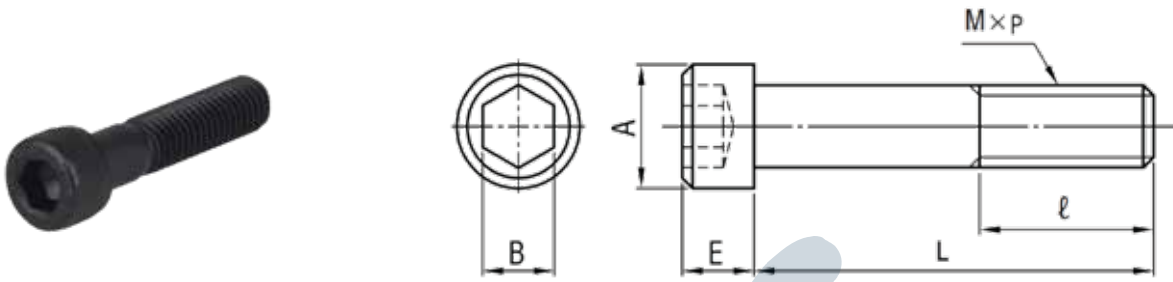
แหวนสปริงนอก

Code	Size
SW#2	M3
	M4
	M5
	M6
	M8
	M10
	M12
	M16
M20	

Order Code Size
SW#2 M10

Socket Head Cab Screws

สกรูหัวกลม (CB)



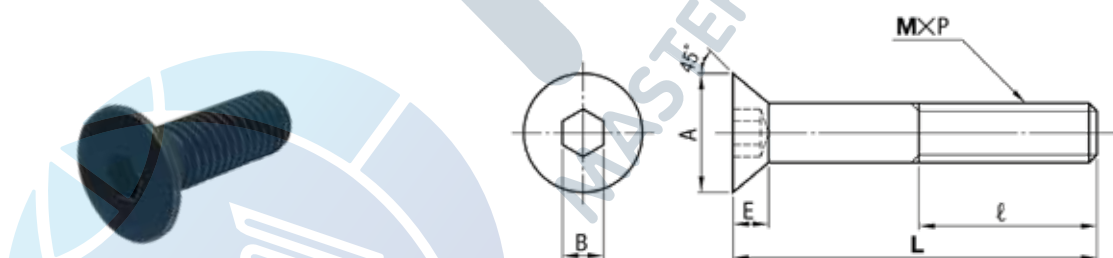
Code	CB
Material	SCM435
Hardness	38 - 43 HRC ~

Order Code M x L
CB 25 x 100

Code	M	M x p	L																														
CB	3	3x0.5	6	8	10	12	16	20	25	30	35	40	45	50																			
	4	4x0.7	6	8	10	12	16	20	25	30	35	40	45	50	55	60	65	70	75	80	90	100	110	120	130	140	150						
	5	5x0.8	6	8	10	12	16	20	25	30	35	40	45	50	55	60	65	70	75	80	90	100	110	120	130	140	150						
	6	6x1.0	10	12	16	20	25	30	35	40	45	50	55	60	65	70	75	80	90	100	110	120	130	140	150								
	8	8x1.25	10	12	16	20	25	30	35	40	45	50	55	60	65	70	75	80	90	100	110	120	130	140	150								
	10	10x1.5	16	20	25	30	35	40	45	50	55	60	65	70	75	80	90	100	110	120	130	140	150	160	170	180	190	200					
	12	12x1.75	16	20	25	30	35	40	45	50	55	60	65	70	75	80	90	100	110	120	130	140	150	160	170	180	190	200	210	220	230	240	250
	14	14x2.0	25	30	35	40	45	50	55	60	65	70	75	80	90	100	110	120	130	140	150	160	170	180	190	200							
	16	16x2.0	25	30	35	40	45	50	55	60	65	70	75	80	90	100	110	120	130	140	150	160	170	180	190	200	210	220	230	240	250	300	
	20	20x2.5	40	45	50	55	60	65	70	75	80	90	100	110	120	130	140	150	160	170	180	190	200	210	220	230	240	250	300				
	22	22x2.5	40	45	50	55	60	65	70	75	80	90	100	110	120	130	140	150	160	170	180	190	200	210	220	230	240	250	300				
	24	24x3.0	50	60	70	75	80	90	100	120	140	150	160	170	180	190	200	210	220	230	240	250	300										
	30	30x3.5	50	60	70	80	90	100	120	140	150	160	170	180	190	200	230	250	300														
36	36x4.0	80	90	100	120	140	150	160	170	180	190	200	230	250	300																		

Taper Socket Head Cab Screws

สกรูหัวกลมเตเปอร์ (FB)



Code	FB
Material	SCM435
Hardness	32 - 39 HRC

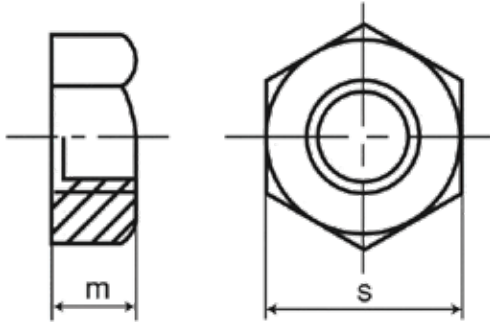
Order Code M x L
FB 10 x 80

Code	M	M x P	A		E	B
			min.	max.		
FB	3	M3 x 0.5	5.70	6.00	1.70	2.00
	4	M4 x 0.7	7.60	8.00	2.30	2.50
	5	M5 x 0.8	9.60	10.00	2.80	3.00
	6	M6 x 1.0	11.60	12.00	3.30	4.00
	8	M8 x 1.25	15.60	16.00	4.40	5.00
	10	M10 x 1.5	19.50	20.00	5.50	6.00
	12	M12 x 1.75	23.50	24.00	6.50	8.00
	14	M14 x 2.0	26.50	27.00	7.00	10.00
16	M16 x 2.0	29.50	30.00	7.50	10.00	
20	M20 x 2.5	35.40	36.00	8.50	12.00	

Code	M	L																									
FB	3	6	8	10	12	15	20	25	30																		
	4	6	8	10	12	15	20	25	30	35	40	50															
	5	10	12	15	20	25	30	35	40	50																	
	6	10	12	15	20	25	30	35	40	45	50	55	60	70	75	80											
	8	15	20	25	30	35	40	45	50	55	60	65	70	75	80	90	100										
	10	16	20	25	30	35	40	45	50	55	60	70	80	90	100												
	12	20	25	30	35	40	45	50	55	60	70	80	90	100	110	120	130	140	150								
	14	25	30	35	40	45	50	60	70	80																	
	16	30	35	40	45	50	55	60	65	70	75	80	90	100	110	120	130	140	150								
	20	40	45	50	55	60	70	80	90	100	110	120	130	140	150												

Nuts

หัวน๊อตมิลดำ (NUT)

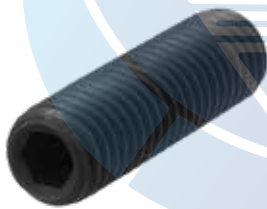


Code	NUT
Material	SCM435

Order Code Size
NUT M20

Code	Size	P	m	s
NUT	M3	0.5	5.5	2.4
	M4	0.7	7.0	3.2
	M5	0.8	8.0	4.0
	M6	1.0	10.0	5.0
	M8	1.25	12.0	6.5
	M10	1.5	17.0	8.0
	M12	1.75	19.0	10.0
	M14	2.0	22.0	11.0
	M16	2.0	24.0	13.0
	M18	2.5	27.0	15.0
	M20	2.5	30.0	16.0
	M22	2.5	32.0	18.0
	M24	3.0	36.0	19.0
	M27	3.0	41.0	22.0
	M30	3.5	46.0	24.0
	M33	3.5	50.0	26.0
	M36	4.0	55.0	29.0
	M42	4.5	65.0	34.0
	M48	5.0	75.0	38.0
	M48	3.0	75.0	38.0

Set Screws หัวน๊อตมิลดำ (MSWJ)



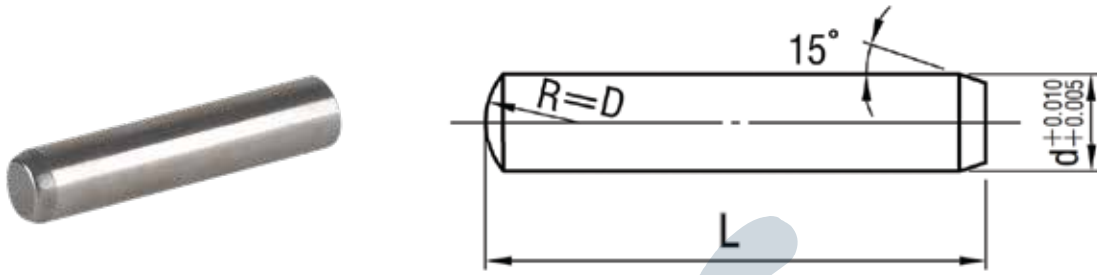
Code	Size	3 mm	4 mm	5 mm	6 mm	8 mm	10 mm	12 mm	14 mm	16 mm	20 mm
MSWJ	P	0.5	0.7	0.8	1.0	1.25	1.5	1.75	2.0	2.0	2.5
	ขนาด	1.5	2.0	2.5	3.0	4.0	5.0	6.0	6.0	8.0	10.0
	3 mm	•									
	4 mm	•	•								
	5 mm	•	•	•	•						
	6 mm	•	•	•	•	•					
	8 mm	•	•	•	•	•	•				
	10 mm	•	•	•	•	•	•	•			
	12 mm	•	•	•	•	•	•	•			
	15 mm	•	•	•	•	•	•	•	•	•	
	20 mm	•	•	•	•	•	•	•	•	•	•
	25 mm	•	•	•	•	•	•	•	•	•	•
	30 mm			•	•	•	•	•	•	•	•
	35 mm				•	•	•	•	•	•	•
	40 mm					•	•	•	•	•	•
	45 mm					•	•	•	•	•	•
	50 mm					•	•	•	•	•	•
	55 mm						•	•	•	•	•
	60 mm						•	•	•	•	•
	65 mm						•	•	•	•	•
	70 mm							•	•	•	•
	75 mm						•	•	•	•	•
	80 mm							•	•	•	•
	90 mm								•	•	•
	100 mm								•	•	•
	110 mm									•	•
	120 mm									•	•

Code	MSWJ
Material	SCM435

Order Code Size
MSWJ 3 x 6

D
Screws

Dowel Pins โตะวพินแบบตัน (MS)

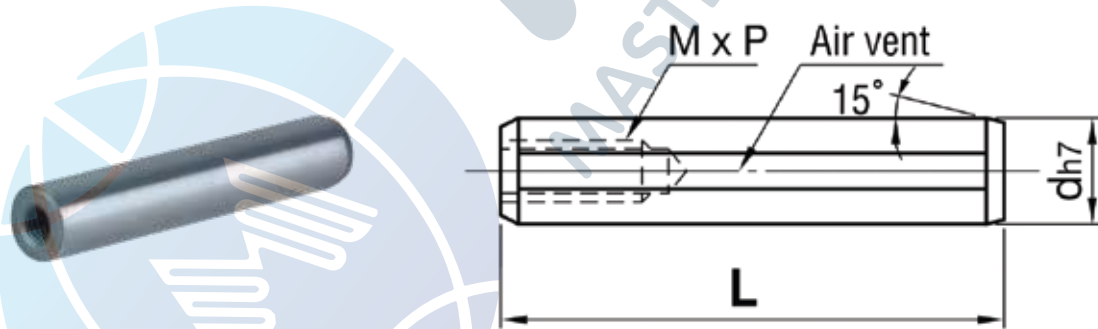


Code	MS
Material	SUJ2
Hardness	58 HRC ~

Order Code D x L
MS 10 x 80

Code	D	L	Ø1
MS	3	10 15 20 25 30 40	1
	4	10 15 20 25 30 35 40 45 50	1.5
	5	10 15 20 25 30 35 40 45 50	
	6	10 15 20 25 30 35 40 45 50 55 60	2
	8	10 15 20 25 30 35 40 45 50 55 60 70 80	2.5
	10	15 20 25 30 35 40 45 50 55 60 70 80	3
	12	20 25 30 35 40 45 50 55 60 70 80	3.5

Dowel Pins โตะวพินแบบเกลียว (MSTH)



Code	MSTH
Material	SUJ2
Hardness	58 HRC ~

Order Code D x L
MSTH 10 x 80

Code	D	h7	Ø1	Ø2	M x P	Ø	L
MSTH	5	0	1.5	0.3	3 x 0.5	6	10 15 20 25 30
	6	-0.012	2		4 x 0.7		8
	8	0		0.5	5 x 0.8	10	
	10	-0.015	1		6 x 1.0		15
	12	0		1.5	8 x 1.25	18	
	13	-0.018	3				10 x 1.5
	16	0		1.5	10 x 1.5	18	
	20	-0.021	50 60 70 80				

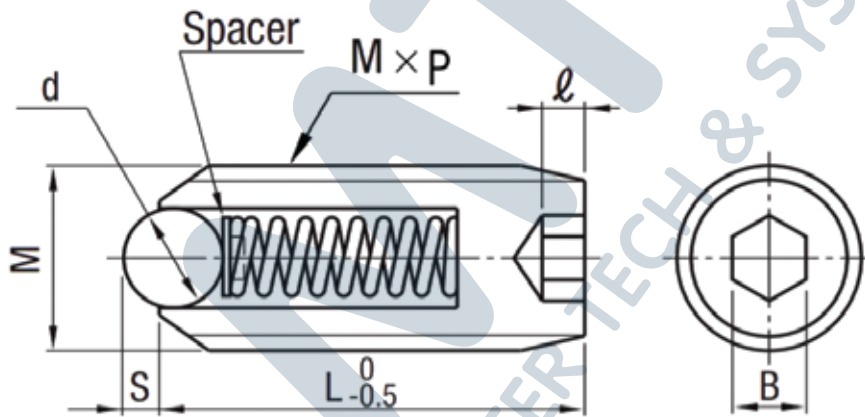
Ball Plugs

ลูกดันทสปริง (BPJ / BSJ)



Code	BPJ / BSJ
Material	SCM435 / SUS304

Order	Code	M x L
	BPJ	M4 x 80
	BSJ	M4



Code	M	M x P	d	S	B	L
BPJ BSJ	M4	4 x 0.7	2.5	1	2	9
	M5	5 x 0.8	3	1	2.5	12
	M6	6 x 1.0	3.5	1.2	3	13
	M8	8 x 1.25	5	1.8	4	15
	M10	10 x 1.5	6	2	5	16
	M12	12 x 1.75	8	3	6	20
	M16	16 x 2.0	9.5	3	8	25